

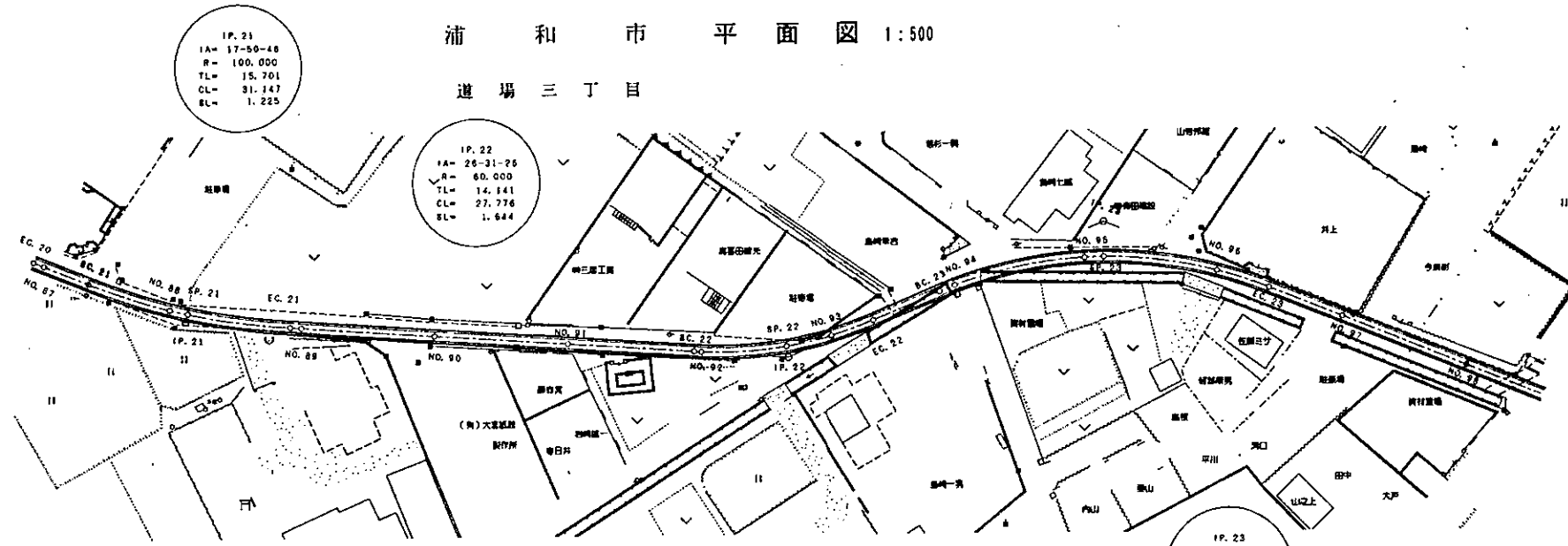
荒川左岸南部流域下水道台帳図

図面番号 6009

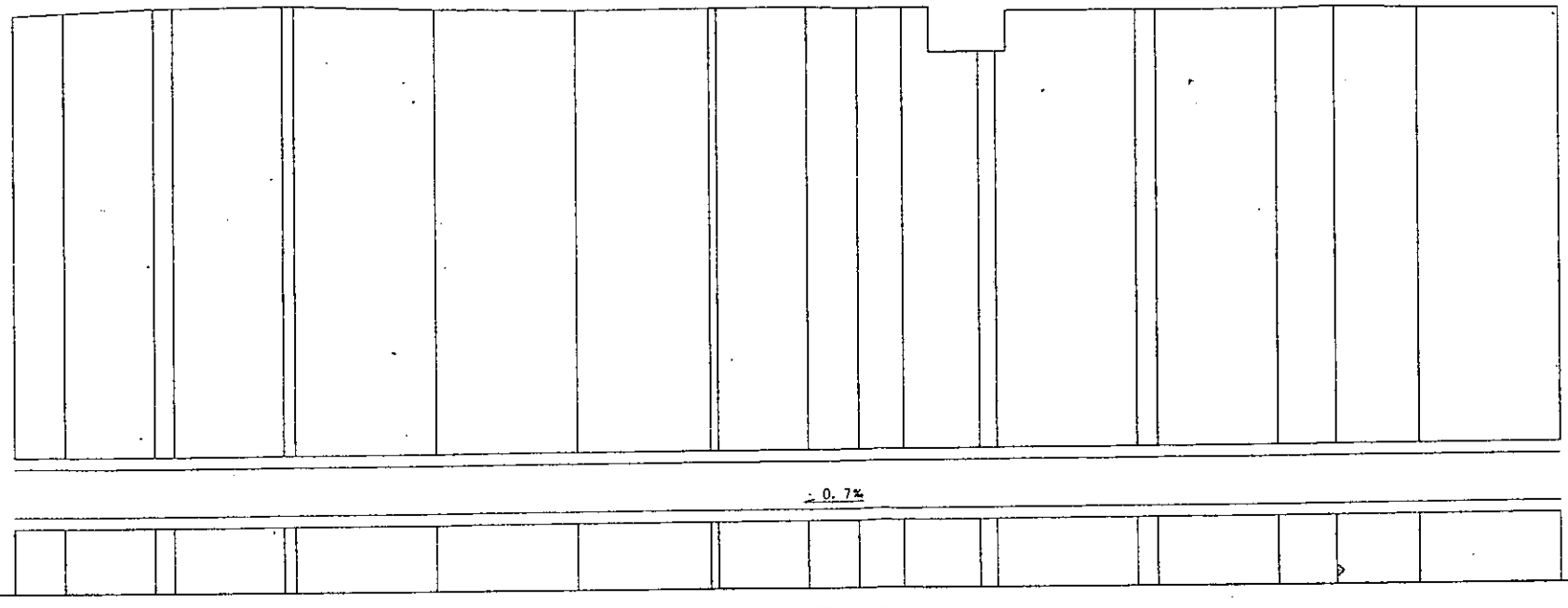
(荒川南幹線)

埼玉県

浦和市平面図 1:500



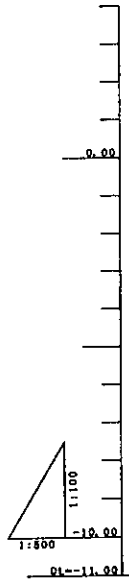
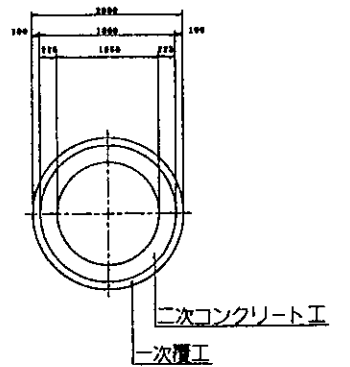
縦断面図



6008	6009	6010
------	------	------

管渠断面図

S=1:50



地盤高	5.330	5.420	5.500	5.580	5.660	5.740	5.820	5.900	5.980	6.060	6.140	6.220	6.300	6.380	6.460	6.540	6.620	6.700	6.780	6.860	6.940	7.020	7.100	7.180	7.260	7.340	7.420	7.500	7.580	7.660	7.740	7.820	7.900	7.980	8.060	8.140	8.220	8.300	8.380	8.460	8.540	8.620	8.700	8.780	8.860	8.940	9.020	9.100	9.180	9.260	9.340	9.420	9.500	9.580	9.660	9.740	9.820	9.900	9.980	10.060	10.140	10.220	10.300	10.380	10.460	10.540	10.620	10.700	10.780	10.860	10.940	11.020	11.100	11.180	11.260	11.340	11.420	11.500	11.580	11.660	11.740	11.820	11.900	11.980	12.060	12.140	12.220	12.300	12.380	12.460	12.540	12.620	12.700	12.780	12.860	12.940	13.020	13.100	13.180	13.260	13.340	13.420	13.500	13.580	13.660	13.740	13.820	13.900	13.980	14.060	14.140	14.220	14.300	14.380	14.460	14.540	14.620	14.700	14.780	14.860	14.940	15.020	15.100	15.180	15.260	15.340	15.420	15.500	15.580	15.660	15.740	15.820	15.900	15.980	16.060	16.140	16.220	16.300	16.380	16.460	16.540	16.620	16.700	16.780	16.860	16.940	17.020	17.100	17.180	17.260	17.340	17.420	17.500	17.580	17.660	17.740	17.820	17.900	17.980	18.060	18.140	18.220	18.300	18.380	18.460	18.540	18.620	18.700	18.780	18.860	18.940	19.020	19.100	19.180	19.260	19.340	19.420	19.500	19.580	19.660	19.740	19.820	19.900	19.980	20.060	20.140	20.220	20.300	20.380	20.460	20.540	20.620	20.700	20.780	20.860	20.940	21.020	21.100	21.180	21.260	21.340	21.420	21.500	21.580	21.660	21.740	21.820	21.900	21.980	22.060	22.140	22.220	22.300	22.380	22.460	22.540	22.620	22.700	22.780	22.860	22.940	23.020	23.100	23.180	23.260	23.340	23.420	23.500	23.580	23.660	23.740	23.820	23.900	23.980	24.060	24.140	24.220	24.300	24.380	24.460	24.540	24.620	24.700	24.780	24.860	24.940	25.020	25.100	25.180	25.260	25.340	25.420	25.500	25.580	25.660	25.740	25.820	25.900	25.980	26.060	26.140	26.220	26.300	26.380	26.460	26.540	26.620	26.700	26.780	26.860	26.940	27.020	27.100	27.180	27.260	27.340	27.420	27.500	27.580	27.660	27.740	27.820	27.900	27.980	28.060	28.140	28.220	28.300	28.380	28.460	28.540	28.620	28.700	28.780	28.860	28.940	29.020	29.100	29.180	29.260	29.340	29.420	29.500	29.580	29.660	29.740	29.820	29.900	29.980	30.060	30.140	30.220	30.300	30.380	30.460	30.540	30.620	30.700	30.780	30.860	30.940	31.020	31.100	31.180	31.260	31.340	31.420	31.500	31.580	31.660	31.740	31.820	31.900	31.980	32.060	32.140	32.220	32.300	32.380	32.460	32.540	32.620	32.700	32.780	32.860	32.940	33.020	33.100	33.180	33.260	33.340	33.420	33.500	33.580	33.660	33.740	33.820	33.900	33.980	34.060	34.140	34.220	34.300	34.380	34.460	34.540	34.620	34.700	34.780	34.860	34.940	35.020	35.100	35.180	35.260	35.340	35.420	35.500	35.580	35.660	35.740	35.820	35.900	35.980	36.060	36.140	36.220	36.300	36.380	36.460	36.540	36.620	36.700	36.780	36.860	36.940	37.020	37.100	37.180	37.260	37.340	37.420	37.500	37.580	37.660	37.740	37.820	37.900	37.980	38.060	38.140	38.220	38.300	38.380	38.460	38.540	38.620	38.700	38.780	38.860	38.940	39.020	39.100	39.180	39.260	39.340	39.420	39.500	39.580	39.660	39.740	39.820	39.900	39.980	40.060	40.140	40.220	40.300	40.380	40.460	40.540	40.620	40.700	40.780	40.860	40.940	41.020	41.100	41.180	41.260	41.340	41.420	41.500	41.580	41.660	41.740	41.820	41.900	41.980	42.060	42.140	42.220	42.300	42.380	42.460	42.540	42.620	42.700	42.780	42.860	42.940	43.020	43.100	43.180	43.260	43.340	43.420	43.500	43.580	43.660	43.740	43.820	43.900	43.980	44.060	44.140	44.220	44.300	44.380	44.460	44.540	44.620	44.700	44.780	44.860	44.940	45.020	45.100	45.180	45.260	45.340	45.420	45.500	45.580	45.660	45.740	45.820	45.900	45.980	46.060	46.140	46.220	46.300	46.380	46.460	46.540	46.620	46.700	46.780	46.860	46.940	47.020	47.100	47.180	47.260	47.340	47.420	47.500	47.580	47.660	47.740	47.820	47.900	47.980	48.060	48.140	48.220	48.300	48.380	48.460	48.540	48.620	48.700	48.780	48.860	48.940	49.020	49.100	49.180	49.260	49.340	49.420	49.500	49.580	49.660	49.740	49.820	49.900	49.980	50.060	50.140	50.220	50.300	50.380	50.460	50.540	50.620	50.700	50.780	50.860	50.940	51.020	51.100	51.180	51.260	51.340	51.420	51.500	51.580	51.660	51.740	51.820	51.900	51.980	52.060	52.140	52.220	52.300	52.380	52.460	52.540	52.620	52.700	52.780	52.860	52.940	53.020	53.100	53.180	53.260	53.340	53.420	53.500	53.580	53.660	53.740	53.820	53.900	53.980	54.060	54.140	54.220	54.300	54.380	54.460	54.540	54.620	54.700	54.780	54.860	54.940	55.020	55.100	55.180	55.260	55.340	55.420	55.500	55.580	55.660	55.740	55.820	55.900	55.980	56.060	56.140	56.220	56.300	56.380	56.460	56.540	56.620	56.700	56.780	56.860	56.940	57.020	57.100	57.180	57.260	57.340	57.420	57.500	57.580	57.660	57.740	57.820	57.900	57.980	58.060	58.140	58.220	58.300	58.380	58.460	58.540	58.620	58.700	58.780	58.860	58.940	59.020	59.100	59.180	59.260	59.340	59.420	59.500	59.580	59.660	59.740	59.820	59.900	59.980	60.060	60.140	60.220	60.300	60.380	60.460	60.540	60.620	60.700	60.780	60.860	60.940	61.020	61.100	61.180	61.260	61.340	61.420	61.500	61.580	61.660	61.740	61.820	61.900	61.980	62.060	62.140	62.220	62.300	62.380	62.460	62.540	62.620	62.700	62.780	62.860	62.940	63.020	63.100	63.180	63.260	63.340	63.420	63.500	63.580	63.660	63.740	63.820	63.900	63.980	64.060	64.140	64.220	64.300	64.380	64.460	64.540	64.620	64.700	64.780	64.860	64.940	65.020	65.100	65.180	65.260	65.340	65.420	65.500	65.580	65.660	65.740	65.820	65.900	65.980	66.060	66.140	66.220	66.300	66.380	66.460	66.540	66.620	66.700	66.780	66.860	66.940	67.020	67.100	67.180	67.260	67.340	67.420	67.500	67.580	67.660	67.740	67.820	67.900	67.980	68.060	68.140	68.220	68.300	68.380	68.460	68.540	68.620	68.700	68.780	68.860	68.940	69.020	69.100	69.180	69.260	69.340	69.420	69.500	69.580	69.660	69.740	69.820	69.900	69.980	70.060	70.140	70.220	70.300	70.380	70.460	70.540	70.620	70.700	70.780	70.860	70.940	71.020	71.100	71.180	71.260	71.340	71.420	71.500	71.580	71.660	71.740	71.820	71.900	71.980	72.060	72.140	72.220	72.300	72.380	72.460	72.540	72.620	72.700	72.780	72.860	72.940	73.020	73.100	73.180	73.260	73.340	73.420	73.500	73.580	73.660	73.740	73.820	73.900	73.980	74.060	74.140	74.220	74.300	74.380	74.460	74.540	74.620	74.700	74.780	74.860	74.940	75.020	75.100	75.180	75.260	75.340	75.420	75.500	75.580	75.660	75.740	75.820	75.900	75.980	76.060	76.140	76.220	76.300	76.380	76.460	76.540	76.620	76.700	76.780	76.860	76.940	77.020	77.100	77.180	77.260	77.340	77.420	77.500	77.580	77.660	77.740	77.820	77.900	77.980	78.060	78.140	78.220	78.300	78.380	78.460	78.540	78.620	78.700	78.780	78.860	78.940	79.020	79.100	79.180	79.260	79.340	79.420	79.500	79.580	79.660	79.740	79.820	79.900	79.980	80.060	80.140	80.220	80.300	80.380	80.460	80.540	80.620	80.700	80.780	80.860	80.940	81.020	81.100	81.180	81.260	81.340	81.420	81.500	81.580	81.660	81.740	81.820	81.900	81.980	82.060	82.140	82.220	82.300	82.380	82.460	82.540	82.620	
-----	-------	-------	-------	-------	-------	-------	-------	-------	-------	-------	-------	-------	-------	-------	-------	-------	-------	-------	-------	-------	-------	-------	-------	-------	-------	-------	-------	-------	-------	-------	-------	-------	-------	-------	-------	-------	-------	-------	-------	-------	-------	-------	-------	-------	-------	-------	-------	-------	-------	-------	-------	-------	-------	-------	-------	-------	-------	-------	-------	--------	--------	--------	--------	--------	--------	--------	--------	--------	--------	--------	--------	--------	--------	--------	--------	--------	--------	--------	--------	--------	--------	--------	--------	--------	--------	--------	--------	--------	--------	--------	--------	--------	--------	--------	--------	--------	--------	--------	--------	--------	--------	--------	--------	--------	--------	--------	--------	--------	--------	--------	--------	--------	--------	--------	--------	--------	--------	--------	--------	--------	--------	--------	--------	--------	--------	--------	--------	--------	--------	--------	--------	--------	--------	--------	--------	--------	--------	--------	--------	--------	--------	--------	--------	--------	--------	--------	--------	--------	--------	--------	--------	--------	--------	--------	--------	--------	--------	--------	--------	--------	--------	--------	--------	--------	--------	--------	--------	--------	--------	--------	--------	--------	--------	--------	--------	--------	--------	--------	--------	--------	--------	--------	--------	--------	--------	--------	--------	--------	--------	--------	--------	--------	--------	--------	--------	--------	--------	--------	--------	--------	--------	--------	--------	--------	--------	--------	--------	--------	--------	--------	--------	--------	--------	--------	--------	--------	--------	--------	--------	--------	--------	--------	--------	--------	--------	--------	--------	--------	--------	--------	--------	--------	--------	--------	--------	--------	--------	--------	--------	--------	--------	--------	--------	--------	--------	--------	--------	--------	--------	--------	--------	--------	--------	--------	--------	--------	--------	--------	--------	--------	--------	--------	--------	--------	--------	--------	--------	--------	--------	--------	--------	--------	--------	--------	--------	--------	--------	--------	--------	--------	--------	--------	--------	--------	--------	--------	--------	--------	--------	--------	--------	--------	--------	--------	--------	--------	--------	--------	--------	--------	--------	--------	--------	--------	--------	--------	--------	--------	--------	--------	--------	--------	--------	--------	--------	--------	--------	--------	--------	--------	--------	--------	--------	--------	--------	--------	--------	--------	--------	--------	--------	--------	--------	--------	--------	--------	--------	--------	--------	--------	--------	--------	--------	--------	--------	--------	--------	--------	--------	--------	--------	--------	--------	--------	--------	--------	--------	--------	--------	--------	--------	--------	--------	--------	--------	--------	--------	--------	--------	--------	--------	--------	--------	--------	--------	--------	--------	--------	--------	--------	--------	--------	--------	--------	--------	--------	--------	--------	--------	--------	--------	--------	--------	--------	--------	--------	--------	--------	--------	--------	--------	--------	--------	--------	--------	--------	--------	--------	--------	--------	--------	--------	--------	--------	--------	--------	--------	--------	--------	--------	--------	--------	--------	--------	--------	--------	--------	--------	--------	--------	--------	--------	--------	--------	--------	--------	--------	--------	--------	--------	--------	--------	--------	--------	--------	--------	--------	--------	--------	--------	--------	--------	--------	--------	--------	--------	--------	--------	--------	--------	--------	--------	--------	--------	--------	--------	--------	--------	--------	--------	--------	--------	--------	--------	--------	--------	--------	--------	--------	--------	--------	--------	--------	--------	--------	--------	--------	--------	--------	--------	--------	--------	--------	--------	--------	--------	--------	--------	--------	--------	--------	--------	--------	--------	--------	--------	--------	--------	--------	--------	--------	--------	--------	--------	--------	--------	--------	--------	--------	--------	--------	--------	--------	--------	--------	--------	--------	--------	--------	--------	--------	--------	--------	--------	--------	--------	--------	--------	--------	--------	--------	--------	--------	--------	--------	--------	--------	--------	--------	--------	--------	--------	--------	--------	--------	--------	--------	--------	--------	--------	--------	--------	--------	--------	--------	--------	--------	--------	--------	--------	--------	--------	--------	--------	--------	--------	--------	--------	--------	--------	--------	--------	--------	--------	--------	--------	--------	--------	--------	--------	--------	--------	--------	--------	--------	--------	--------	--------	--------	--------	--------	--------	--------	--------	--------	--------	--------	--------	--------	--------	--------	--------	--------	--------	--------	--------	--------	--------	--------	--------	--------	--------	--------	--------	--------	--------	--------	--------	--------	--------	--------	--------	--------	--------	--------	--------	--------	--------	--------	--------	--------	--------	--------	--------	--------	--------	--------	--------	--------	--------	--------	--------	--------	--------	--------	--------	--------	--------	--------	--------	--------	--------	--------	--------	--------	--------	--------	--------	--------	--------	--------	--------	--------	--------	--------	--------	--------	--------	--------	--------	--------	--------	--------	--------	--------	--------	--------	--------	--------	--------	--------	--------	--------	--------	--------	--------	--------	--------	--------	--------	--------	--------	--------	--------	--------	--------	--------	--------	--------	--------	--------	--------	--------	--------	--------	--------	--------	--------	--------	--------	--------	--------	--------	--------	--------	--------	--------	--------	--------	--------	--------	--------	--------	--------	--------	--------	--------	--------	--------	--------	--------	--------	--------	--------	--------	--------	--------	--------	--------	--------	--------	--------	--------	--------	--------	--------	--------	--------	--------	--------	--------	--------	--------	--------	--------	--------	--------	--------	--------	--------	--------	--------	--------	--------	--------	--------	--------	--------	--------	--------	--------	--------	--------	--------	--------	--------	--------	--------	--------	--------	--------	--------	--------	--------	--------	--------	--------	--------	--------	--------	--------	--------	--------	--------	--------	--------	--------	--------	--------	--------	--------	--------	--------	--------	--------	--------	--------	--------	--------	--------	--------	--------	--------	--------	--------	--------	--------	--------	--------	--------	--------	--------	--------	--------	--------	--------	--------	--------	--------	--------	--------	--------	--------	--------	--------	--------	--------	--------	--------	--------	--------	--------	--------	--------	--------	--------	--------	--------	--------	--------	--------	--------	--------	--------	--------	--------	--------	--------	--------	--------	--------	--------	--------	--------	--------	--------	--------	--------	--------	--------	--------	--------	--------	--------	--------	--------	--------	--------	--------	--------	--------	--------	--------	--------	--------	--------	--------	--------	--------	--------	--------	--------	--------	--------	--------	--------	--------	--------	--------	--------	--------	--------	--------	--------	--------	--------	--------	--------	--------	--------	--------	--------	--------	--------	--------	--------	--------	--------	--------	--------	--------	--------	--------	--------	--------	--------	--------	--------	--------	--------	--------	--------	--------	--------	--------	--------	--------	--------	--------	--------	--------	--------	--------	--------	--------	--------	--------	--------	--------	--------	--------	--------	--------	--------	--------	--------	--------	--